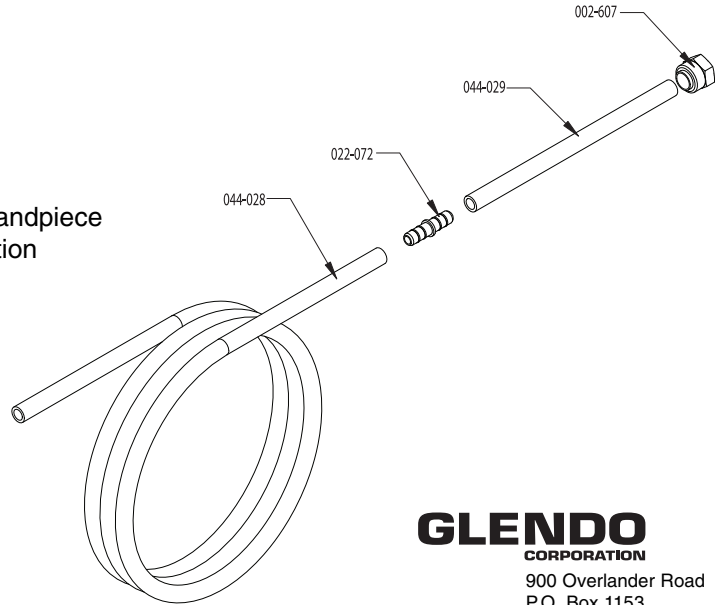
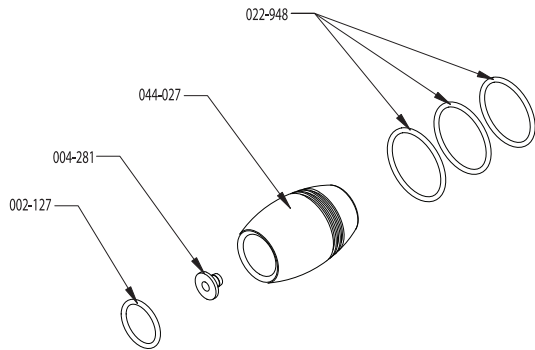


GRS Magnum Handpiece Oval Knob Kit PARTS LIST

For GraverMach / GraverMax SC • PART #004-941

Part No.	Description
002-127	O-ring
002-607	Nut with sleeve
004-281	Hose retainer
022-072	Barbed fitting for 1/4" x .040" wall tubing
022-948	O-ring 70 durometer
044-027	Oval knob
044-028	050-003 cut to length for use with 004-940 handpiece
044-029	4" cut length of 050-002 for machine connection



GLENDO CORPORATION

900 Overlander Road
P.O. Box 1153
Emporia, KS 66801 USA
800-835-3519 • 620-343-1084
fax 620-343-9640
grstools@grstools.com
www.grstools.com

LIT-306