

GRS MAGNABLOCK™ BALL VISE

For Engraving and Jewelry Making

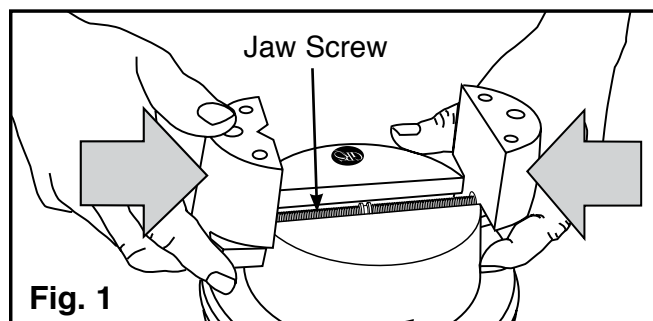
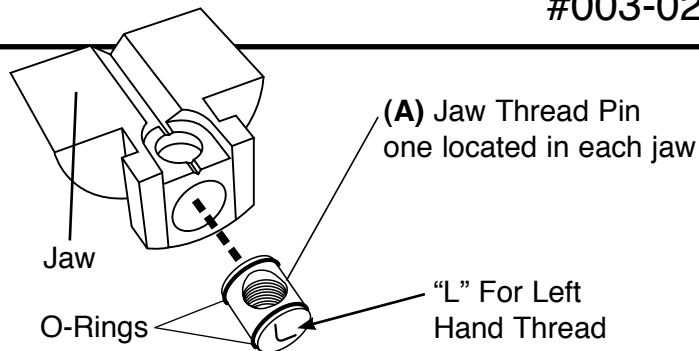
#003-021

Your GRS Magnablock will give you many years of trouble-free service. It is extremely rugged in construction, yet is relatively simple and easy to maintain. Required lubrication is minimal.

The jaw adapter plates are drilled to accept engraving block attachments. GRS offers a 30-piece attachment set (#003-520) that includes storage for the adaptor plates and pins that come with the block.

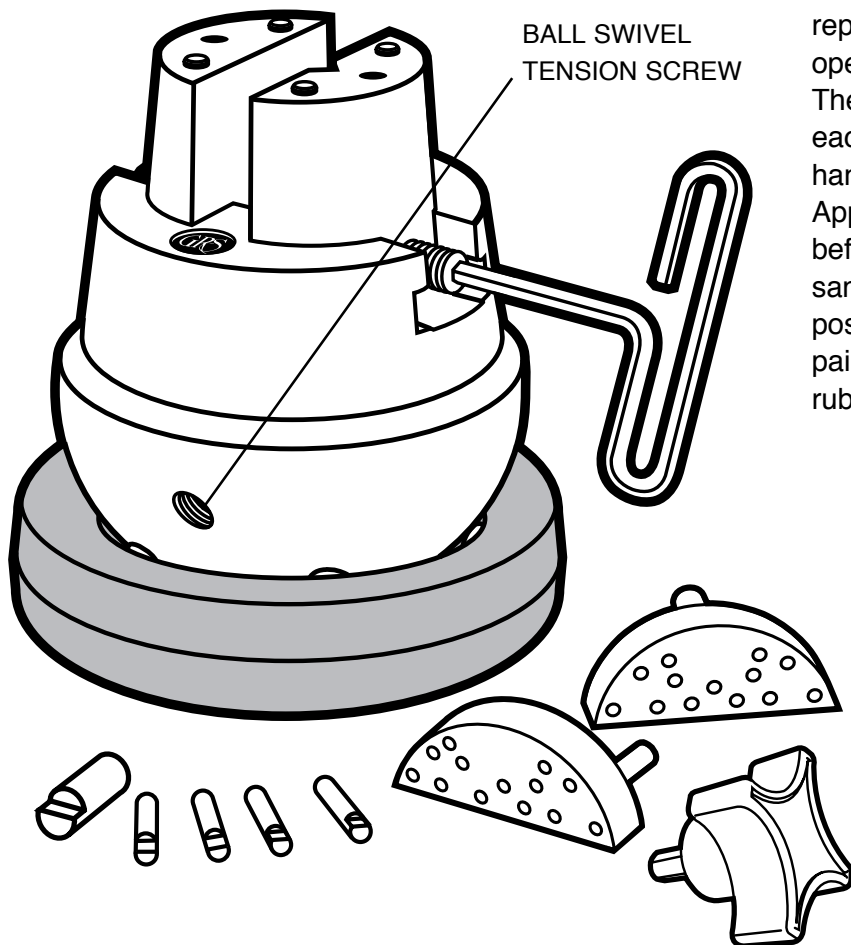
Maintenance

Based on usage, open jaws fully and clean the dirt and metal pieces from the threads. After cleaning, apply a small amount of light oil to the threads. To disassemble, remove the Ball Swivel Tension Screw and Spring from the side of the ball. Grasp the Crown Assembly and carefully lift the Crown.



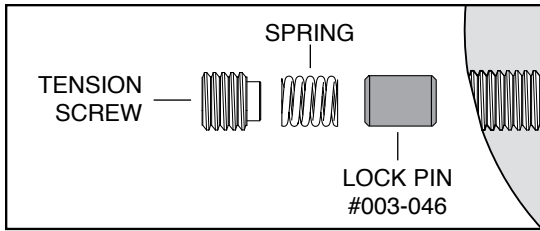
Jaw Thread Replacement

Over tightening the jaws will cause wear and damage to the threads. If jaws become loose, replace with kit #003-627. Remove jaws by opening wide until they come off the jaw screw. The thread pin (A) is located on the under side of each jaw. **Before removing pins** locate the left hand pin, marked "L". Replace it with the same. Apply a small amount of grease to the O-rings before installing them. Start the jaws threads at the same time when replacing them. Hold each jaw in position (Fig. 1) and turn the jaw screw. An extra pair of hands makes this easier, or place a large rubber band over the jaws.



GRS

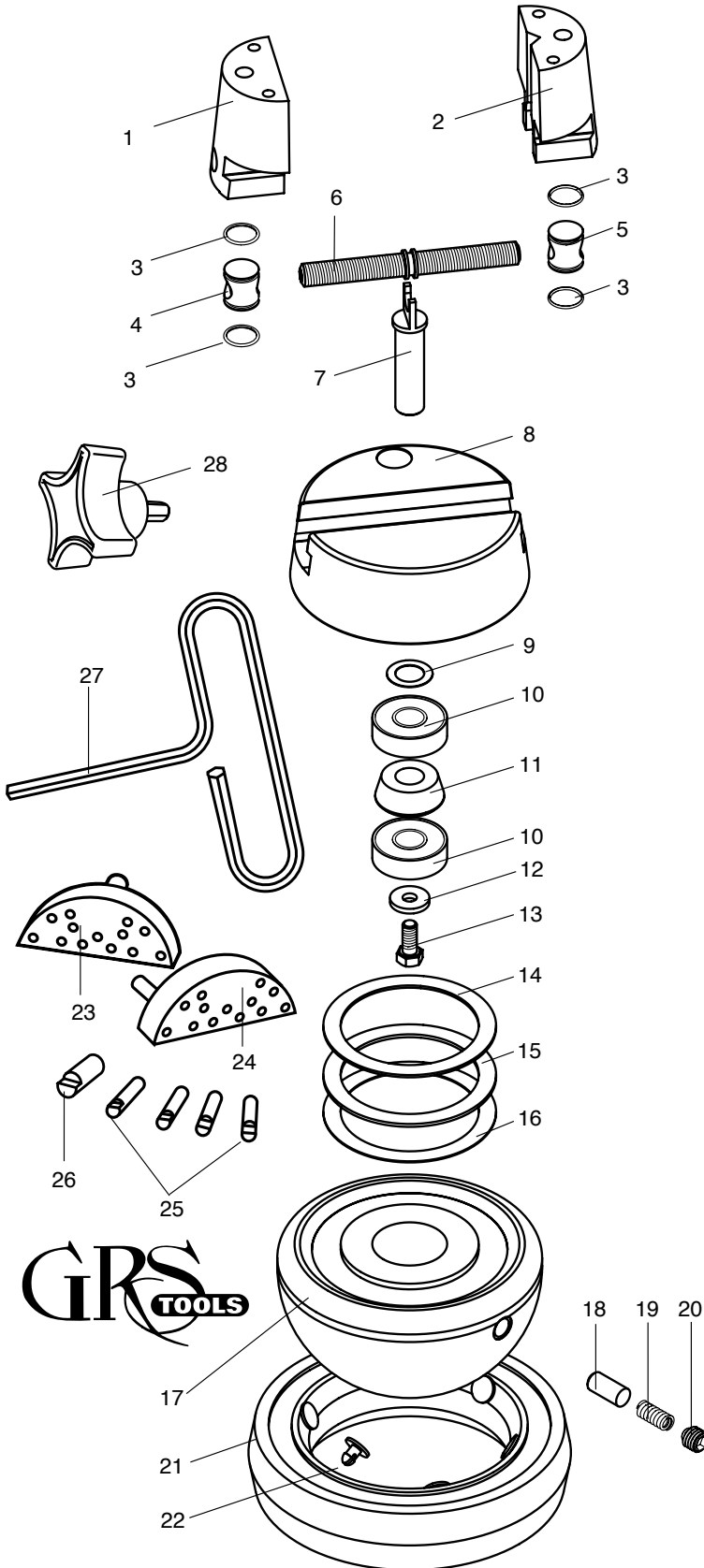
900 Overlander Road
P.O. Box 1153
Emporia, KS 66801 USA
Toll-Free: 1-800-835-3519
Phone: 620-343-1084
Fax: 620-343-9640
E-mail: grs@grstools.com
www.grstools.com



Lock or Drag Pin Replacement

The LOCK or DRAG PIN is subject to much wear and may need to be replaced after extended use. Simply remove the ball swivel tension screw with the hex wrench. The spring and Lock Pin should follow, if not, you may need to turn the ball until they fall out. Replace the Lock Pin (#003-046), Spring and Tension Screw.

GRS Magnablock Ball Vise Complete Assembly #003-021



PART #	DESCRIPTION
1	003-009 Jaw - Right Hand
2	003-008 Jaw - Left Hand
3	002-127 O-Ring - 0.625" x 0.75" x 0.062"
4	003-065 Pin - Right Hand
5	003-064 Pin - Left Hand
6	003-007 Screw Post
7	003-045 Post
8	003-044 Block Crown
9	002-238 Thrust Washer
10	002-212 Bearing
11	003-037 Spacer
12	002-214 Washer - 0.312" x 0.859" x 0.125"
13	002-112 5/16-18 X 3/4" HHB
14	002-213 Bearing Race, 3" x 3.75" x 0.078"
15	002-088 Bearing, 3" x 3.75" x 0.078"
16	002-089 Bearing Race, 3" x 3.75" x 0.031"
17	003-036 Block Base
18	003-046 Lock Pin
19	003-020 Spring, Block Drag
20	003-067 1/2-13 UNC x 1/2" SHSS
	003-506 Tire Assembly (21 & 22)
21	002-090 Tire
22	002-209 Fastener - Push-In
23	003-508 Pin Plate - 1 pin
24	003-507 Pin Plate - 2 pin
25	003-015 Jaw Pin - 1/4"
26	003-016 Jaw Pin - 3/8"
27	002-091 Wrench - 1/4" T-Handle Hex
28	003-661 1/4" Hex Drive Knob

Replacement Thread Pin Kit

#003-627 (Not Shown). Includes Jaw Screw, Left and Right Thread Pins, O-Rings, and Tube of Grease.